

CAUTION:
ELECTRICAL SHOCK HAZARD.
THIS MAY BE AN AUTOMATICALLY
STARTED DEVICE.
DISCONNECT POWER FROM UNIT
BEFORE SERVICING.

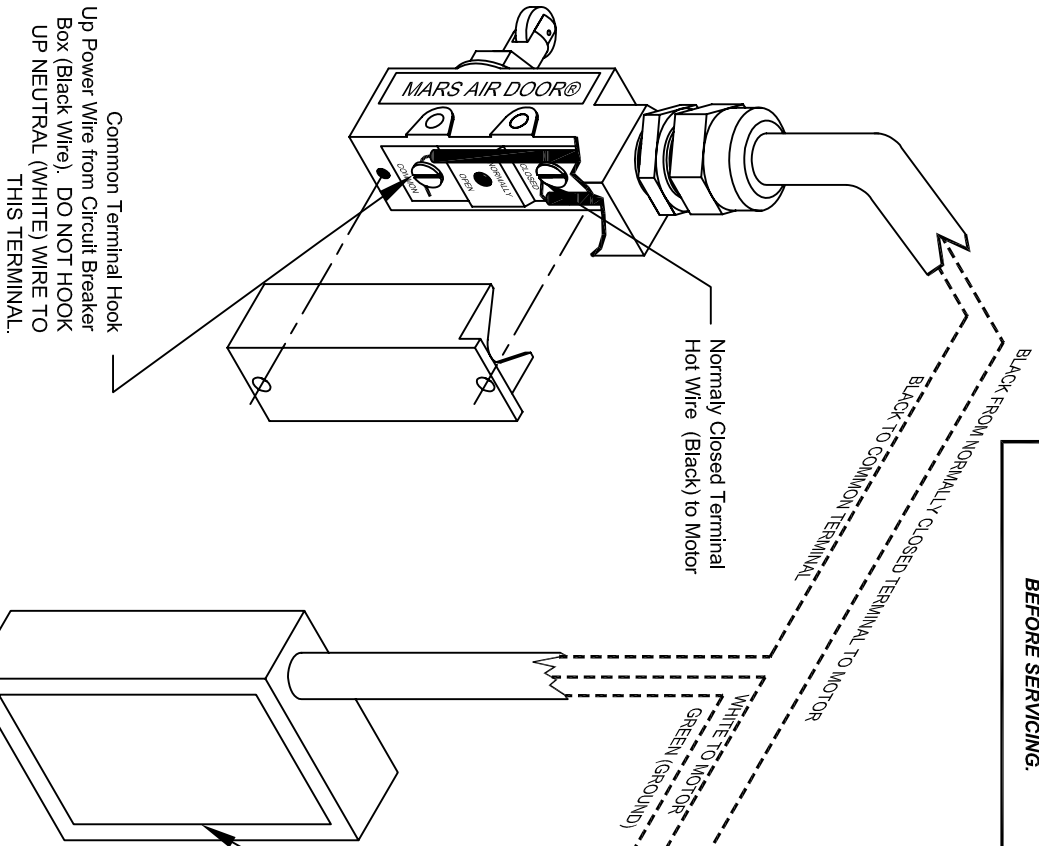
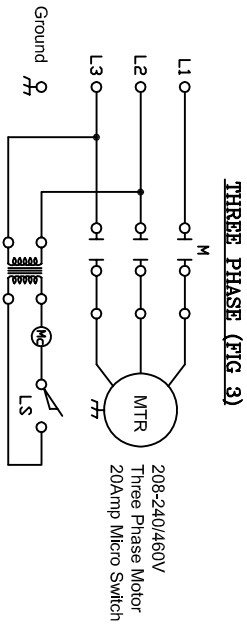
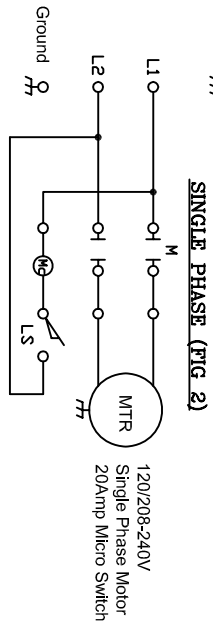
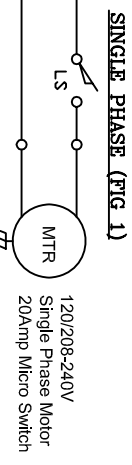
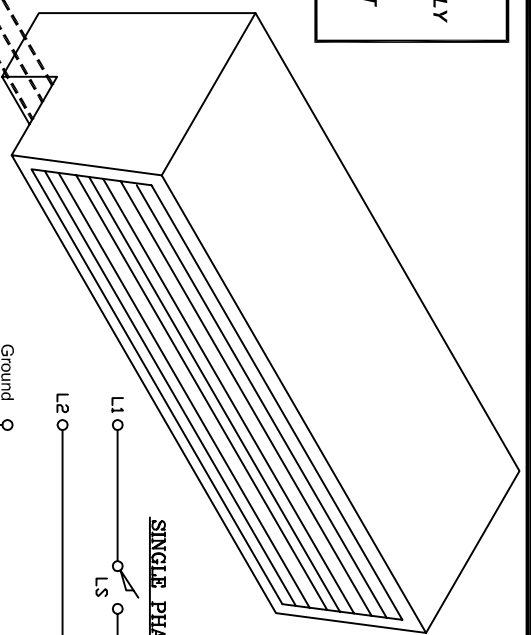


FIG 1 (SHOWN)

- NOTES:**
1. INSTALLER MUST PROVIDE A DISCONNECTING MEANS AND A BRANCH CIRCUIT PROTECTION DEVICE.
 2. ALL FIELD WIRING MUST BE COPPER 60°C INSULATION IF LESS THAN 100 AMPS, OR 75°C INSULATION IF 100 AMPS OR MORE.
 3. ELECTRICAL CONNECTIONS TO BE FLEXIBLE.

NOTE:
All 3 Phase Motors or Single Phase Combined Motors greater than 1 Hp or over 250Vac or greater than 20 Amps require a motor control panel whenever a door microswitch is used to start and stop the air curtain. A door microswitch may be used to directly control one 1 Hp or one 1/2 Hp, single phase motors without the need for a motor control panel. (As long as it does not exceed 20 Amps or 250Vac)

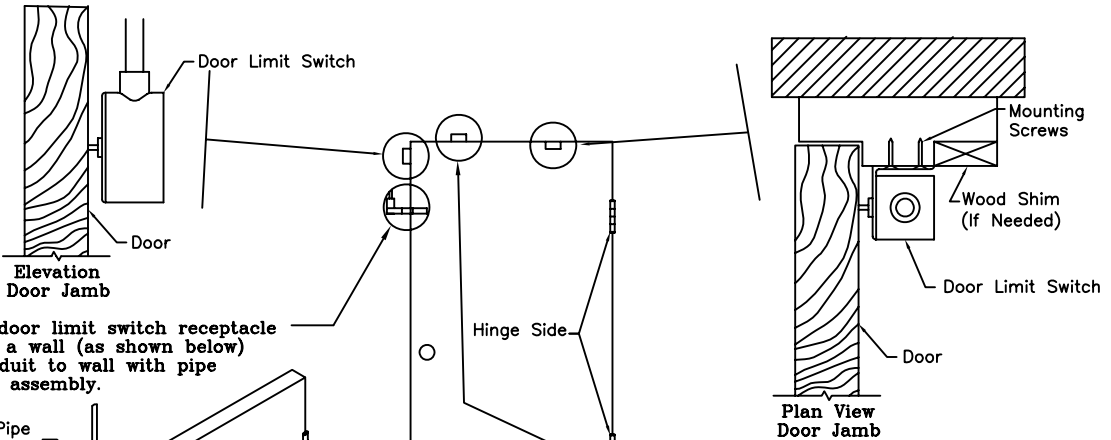


**DOOR LIMIT SWITCH
HOOK-UP FOR SINGLE MOTOR**

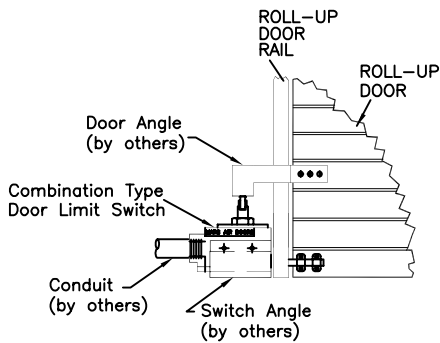
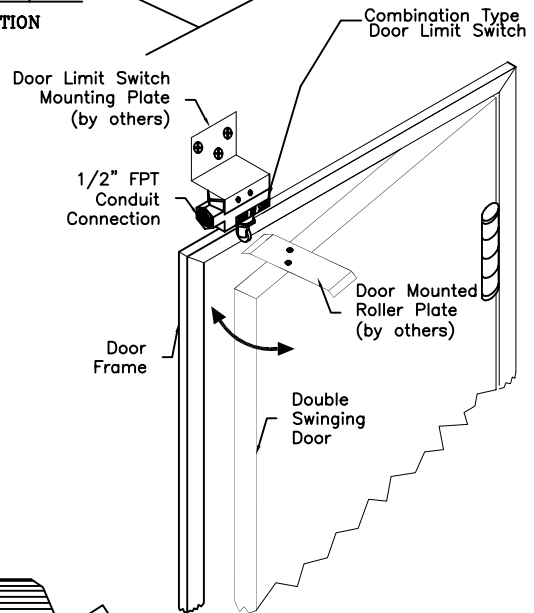
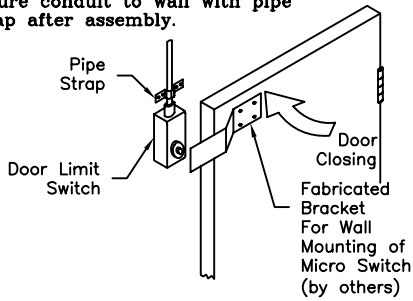
14716 S. BROADWAY • GARDENA, CA 90248
Phone: 310-532-1555 800-421-1266 Fax: 310-324-3030
WEB SITE: www.marsair.com E-MAIL: marsinfo@marsair.com

MOST COMMON DOOR LIMIT SWITCH INSTALLATION

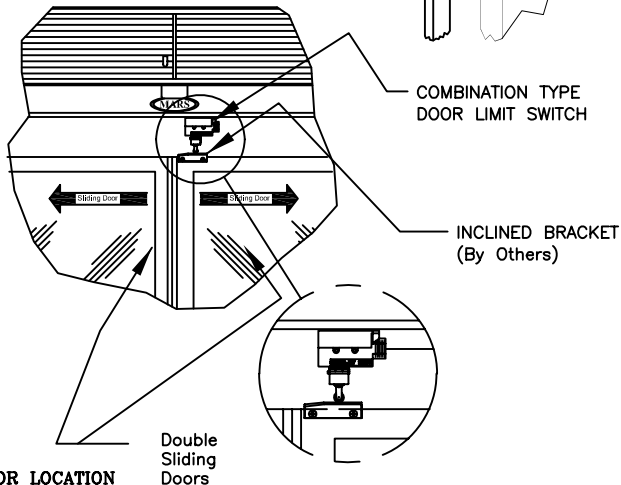
TO ENSURE LONG LIFE OF MICRO SWITCH, ONLY LIGHT PRESSURE SHOULD BE EXERTED ON PLUNGER WHEN DOOR IS CLOSED.



To mount door limit switch receptacle directly to a wall (as shown below) secure conduit to wall with pipe strap after assembly.



TYPICAL ROLL-UP DOOR LOCATION



TYPICAL SLIDING DOOR LOCATION