

# LOW PROFILE AIR CURTAIN

Unheated (NSF) LoPro SERIES - LPN30, LPN36, LPN42, LPN48, LPN60, LPN72, LPN84, LPN96, LPN120 & LPN144

Unheated LoPro SERIES - LPV30, LPV36, LPV42, LPV48, LPV60, LPV72, LPV84, LPV96, LPV120 & LPV144

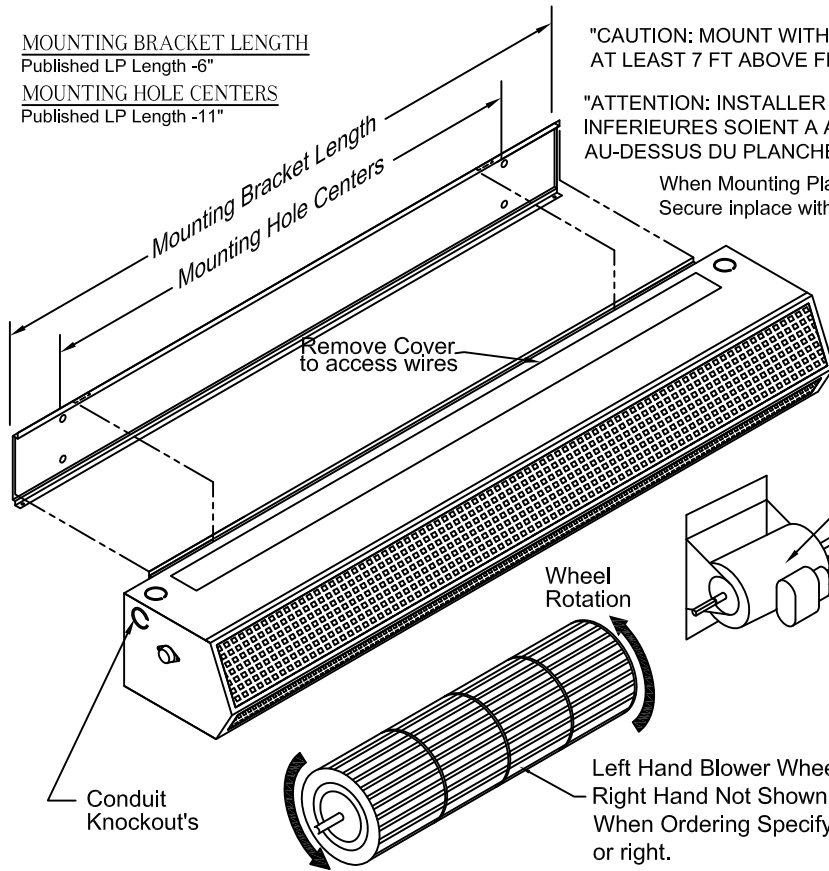
## INSTALLATION AND REPLACEMENT PARTS SHEET

### MOUNTING BRACKET LENGTH

Published LP Length -6"

### MOUNTING HOLE CENTERS

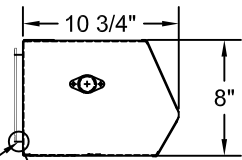
Published LP Length -11"



"CAUTION: MOUNT WITH THE LOWEST MOVING PART AT LEAST 7 FT ABOVE FLOOR OR GRADE LEVEL"

"ATTENTION: INSTALLER DE SORTE QUE LES PIECES INFERIEURES SOIENT A AU MOINS 2.5 METERS AU-DESSUS DU PLANCHER OU DU SOL"

When Mounting Plates are inserted together. Secure in place with (2) #10-32 Pan Hd. Screws.



Pem Nut Each End

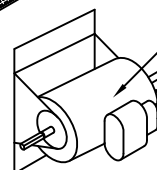
#10-32 Pan Hd. Screw

ALL NSF MODELS (LPN SERIES) MOUNTING HEIGHT MAY NOT EXCEED 7 FT OR 2.5m ABOVE FLOOR OR GRADE LEVEL.

Motor is double shaft, resilient mounted with automatic thermal overload protection and lifetime prelubricated double sealed ball bearings.

\* Wired Per NEC code.

NOTE: WHEN ORDERING PARTS, INCLUDE SERIAL NUMBER AND MODEL NUMBER FROM NAME PLATE.



Set Screw  
Wheel Rotation

Looking From Motor to Right End

Left Hand Blower Wheel  
Right Hand Not Shown  
When Ordering Specify left or right.

### AVAILABLE REPLACEMENT PARTS

- Metal Cabinet
- Cross Flow Blower Wheel LH & RH
- Air Inlet GRILLE
- Air Directional Vane
- Bearing Cap
- Speed Control Switch (LPV Series only)
- Micro Switch
- Motor - 115Vac or 208/230Vac

### READ AND SAVE THESE INSTRUCTIONS TO INSTALL AIR CURTAIN

1. Center air curtain mounting bracket on solid wall over doorway.
2. Spot holes through 5/16" mounting holes in bracket. If necessary, drill additional holes in bracket to match wall stud or any other mounting bars spacing supplied in the field.
3. Securely fasten mounting bracket with the proper fastener and set air curtain in key hole slots provided.
4. Adjust air directional vanes approximately 15° towards the wind load. Connect proper voltage and phase.

**NOTE:** LoPro air curtains are not recommended for heavy insect control. NSF LoPro Series (LPN) with filters for pass-thru applications only.

### WARNING - TO REDUCE THE RISK OF FIRE, ELECTRIC SHOCK OR INJURY TO PERSONS, OBSERVE THE FOLLOWING:

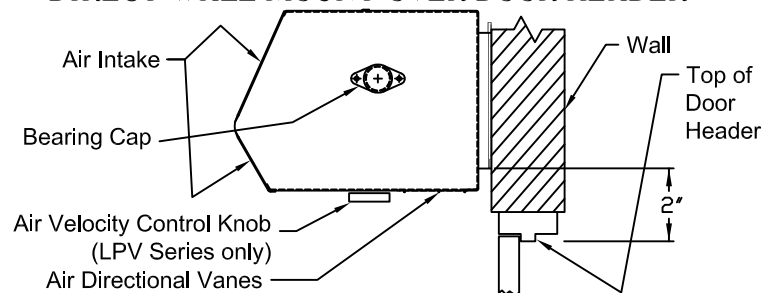
Use this unit only in the manner intended by the manufacturer. If you have any questions, contact the manufacturer. Before servicing or cleaning unit, switch power off at service panel and lock service panel to prevent power from being switched on accidentally. Servicing an energized air curtain presents a risk of fire, electric shock or injury to persons. **DO NOT** attempt any maintenance unless the electric supply has been completely disconnected. Installation work and all electrical wiring must be done by qualified person(s) in accordance with all applicable codes and standards. When cutting or drilling into wall or ceiling, do not damage electrical wiring and other hidden utilities.

### ROUTINE MAINTENANCE

It is imperative to keep the fans clean, as they eventually become coated with residue. Dirty fans will lower the efficiency and eventually throw fans out of balance which can shorten the life of the blower wheels and cause undue wear on the bearings. The time between cleanings depend upon the type and amount of particles floating in the air. Under normal circumstances, the system will require cleaning only about once a year.

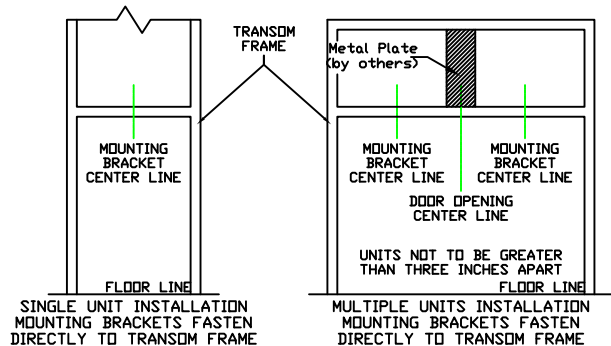
**TO KEEP THE LoPro AIR CURTAIN LOOKING NEW, REMOVE SCREWS FROM AIR INTAKE OPENING AND REMOVE AIR INTAKE GRILLE. CLEAN ACCUMULATION OF DIRT FROM MOTOR HOUSING, BLOWER WHEELS & INTAKE GRILLE THEN REINSTALL & INTAKE GRILLE.**

### DIRECT WALL MOUNT OVER DOOR HEADER



DISCONNECT IN THE FIXED WIRING SHALL BE PROVIDED

### INSTALLATION OVER DOORS WITH TRANSOMS



*Air Doors*

A DIVISION OF MARS SALES COMPANY  
14716 S. BROADWAY • GARDENA, CA 90248  
Tel:(310) 532-1555 • (800) 421-1266 • Fax:(310) 324-3030  
www.marsair.com