

INSTALLATION INSTRUCTIONS

ELECTRIC HEATED LOW PROFILE (ELPV SERIES) AIR CURTAIN

READ INSTRUCTIONS BEFORE REMOVING FROM CARTON

SAVE THIS SHEET FOR FUTURE REFERENCE

INSTALLATION INSTRUCTIONS:

- Carefully remove the unit from the box. Loosen the screws from the intake screen and remove the intake screen.
 - Gently remove all packaging materials, hardware and all other accessories from interior of unit prior to operating. Severe unit damage will occur if these items are not removed prior to operation.
 - Remove the Tek Screws from the wall mounting plate and remove the mounting plate from the unit.
 - Install the mounting plate above the opening. The lowest point of the unit must be at least 1" above any obstructions, i.e., doors and/or door closers, etc... when the unit is installed.
 - Align the tabs on the rear of the unit with the slots provided on the wall mounting plate (see drawing below). The bottom flange on the unit must also drop in the bottom channel of the wall mounting plate. Replace the Tek Screws to secure the unit in place.
- NOTE: If the holes provided on the bottom of the unit and the bottom of the wall mounting plate do not align, remove the unit and re-install. The holes on the bottom channel of the wall mounted plate must be on the bottom.
- The discharge must be free and clear of any obstacles for optimum performance.
 - All wires must be connected internal of the unit and some knockouts are provided. However, it may be necessary to create your own knockout, as required.
 - The unit must be wired per NEC and local codes.

FIGURE 1

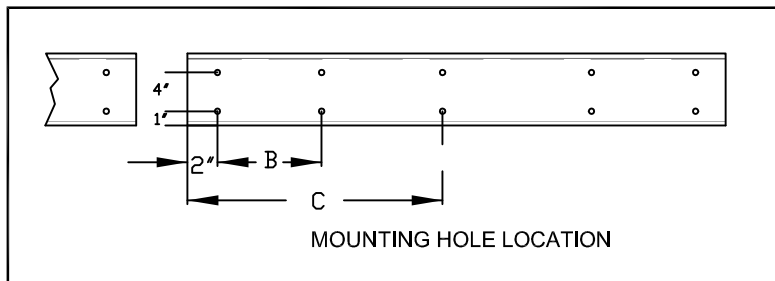
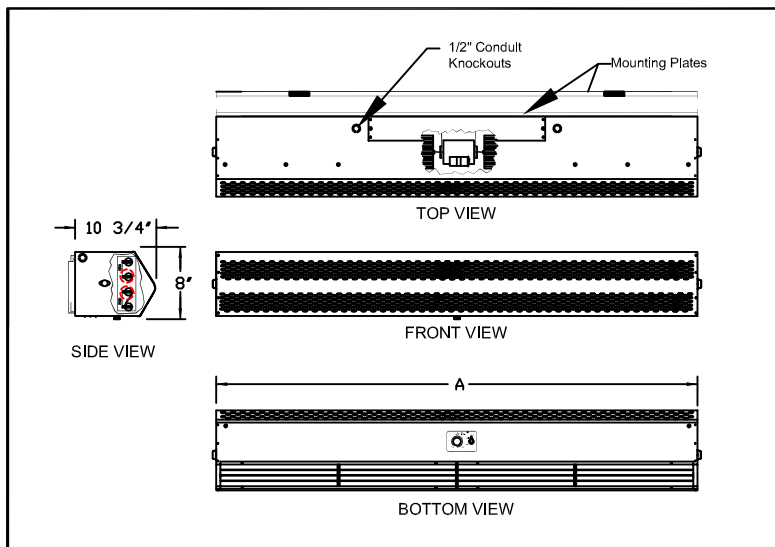


FIGURE 2



PRELIMINARY

- Center the air curtain mounting bracket on solid wall over doorway.
- Spot holes through 5/16" mounting holes in bracket. If necessary, drill additional holes in bracket to match wall stud or any other mounting bars spacing supplied in the field.
- Securely fasten mounting bracket with the proper fastener and set air curtain in key hole slots provided.
- Adjust air directional vanes approximately 15° towards the wind load.
- Connect to proper voltage and phase.

NOTE: LoPro air curtains are not recommended for heavy insect control.

ADJUSTMENTS

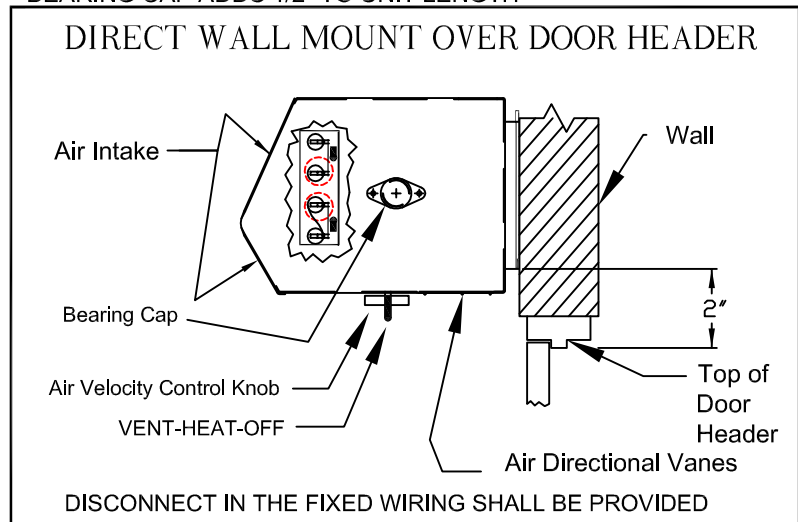
- Pull air directional vanes in air discharge nozzle to proper position with air flow slanted slightly outward around 15°.
- Set air velocity control louvers so that the air stream just reaches the floor to prevent turbulent mixing of inside and outside air.
- The unit is to be installed such that the airflow is unobstructed.

NOTE: MODEL NUMBER DESIGNATES THE LENGTH OF THE UNIT IN INCHES

MODEL NUMBER	1 Phase Voltage	3 Phase Voltage	MODEL LENGTH	MOUNTING HOLE LOCATION	
			A*	B	C
ELPV25	208/230V	208/230/460V	25"	-	12 1/2"
ELPV28	208/230V	208/230/460V	28"	-	14"
ELPV30	208/230V	208/230/460V	30"	-	15"
ELPV36	208/230V	208/230/460V	36"	-	18"
ELPV42	208/230V	208/230/460V	42"	-	21"
ELPV48	208/230V	208/230/460V	48"	-	24"
ELPV60	208/230V	208/230/460V	60"	13 1/4"	30"
ELPV72	208/230V	208/230/460V	72"	17"	36"
Units Length 84" and above, use two Mounting Brackets with 2" in between					
ELPV84-2	208/230V	208/230/460V	86"	-	21" (2)
ELPV96-2	208/230V	208/230/460V	98"	-	24" (2)
ELPV108-2	208/230V	208/230/460V	110"	Use ELPV48 and 60 brackets	
ELPV120-2	208/230V	208/230/460V	122"	13 1/4" (2)	30" (2)
ELPV144-2	208/230V	208/230/460V	146"	17" (2)	36" (2)

*-BEARING CAP ADDS 1/2" TO UNIT LENGTH

FIGURE 3



MAINTENANCE INSTRUCTION

ROUTINE MAINTENANCE

It is imperative to keep the fans clean, as they eventually become coated with residue. Dirty fans will lower the efficiency and eventually throw fans out of balance which can shorten the life of the blower wheels and cause undue wear on the bearings. The time between cleanings depend upon the type and amount of particles floating in the air. Under normal circumstances, the system will require cleaning only about once a year.

TO KEEP THE LoPro AIR CURTAIN LOOKING NEW, REMOVE SCREWS FROM AIR INTAKE OPENING AND REMOVE AIR INTAKE GRILLE. CLEAN ACCUMULATION OF DIRT FROM MOTOR HOUSING, BLOWER WHEELS & INTAKE GRILLE THEN REINSTALL INTAKE GRILLE.

WARNING - TO REDUCE THE RISK OF FIRE, ELECTRICAL SHOCK OR INJURY TO PERSONS, OBSERVE THE FOLLOWING:

Use this unit only in the manner intended by the manufacturer, if you have any questions, contact the manufacturer. Before servicing or cleaning the unit, switch power off at service panel and lock to prevent power from being switched on accidentally. Servicing an energized air curtain presents a risk of fire, electric shock or injury to persons. **DO NOT** attempt any maintenance unless the electric supply has been completely disconnected. Installation work with all electrical wiring must be done by qualified person(s) in accordance with all applicable codes and standards. When cutting or drilling into wall or ceiling, do not damage electrical wiring and other hidden utilities.

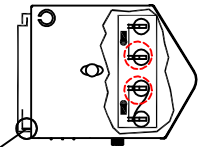
"CAUTION: MOUNT WITH THE LOWEST MOVING PART AT LEAST 7 FT ABOVE FLOOR OR GRADE LEVEL"

Note: For models 84" or longer, knock out must be removed when assembling the 2 units together.

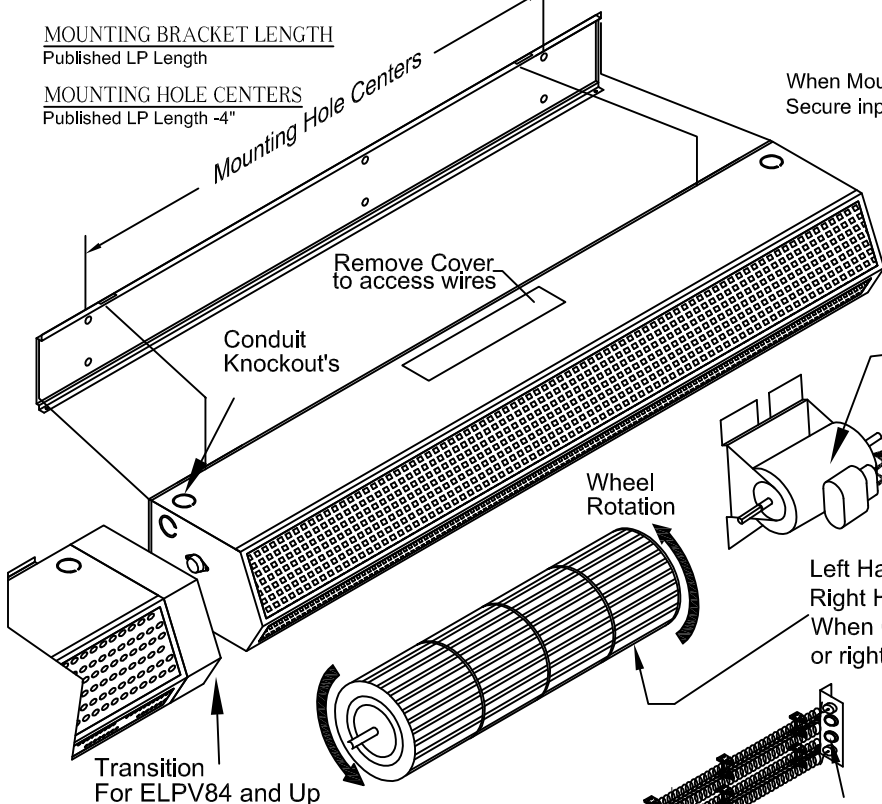
MOUNTING BRACKET LENGTH
Published LP Length

MOUNTING HOLE CENTERS
Published LP Length -4"

"ATTENTION: INSTALLER DE SORTE QUE LES PIECES INFERIEURES SOIENT A AU MOINS 2.5 METERS AU-DESSUS DU PLANCHER OU DU SOL"



When Mounting Plates are inserted together. Secure inplace with (2) #10 Tek Screws.

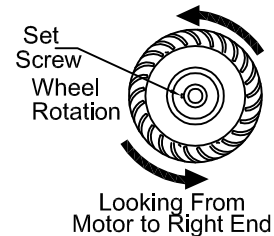


Motor is double shaft, resilient mounted with automatic thermal overload protection and lifetime prelubricated double sealed ball bearings.

* Wired Per NEC code.

NOTE: WHEN ORDERING PARTS, INCLUDE SERIAL NUMBER AND MODEL NUMBER FROM NAME PLATE.

Left Hand Blower Wheel
Right Hand Not Shown
When Ordering Specify left or right.



Manual and Auto thermal limit switches

Two Electric Heaters
(Left Hand Shown)

AVAILABLE REPLACEMENT PARTS

- Metal Cabinet - Air Inlet GRILLE
- Cross Flow Blower Wheel LH & RH
- Air Directional Vane - Bearing Cap
- Speed Control Switch - Door limit Switch
- Motor : 1/6 HP, 208/230Vac
- Heating Elements (length & LH or RH)
- 30 Amp ON/OFF Switch - High Limit Switch (150°F Auto Reset or 170°F Fuse Type)

THE BEST AIR CURTAINS ON EARTH COME FROM MARS®

DIIPR2XX 7/31/09 WCD



AIR SYSTEMS

Air Doors
BRAND AIR CURTAIN

14716 S. BROADWAY • GARDENA, CA 90248
Tel:(310) 532-1555 • (800) 421-1266 • Fax:(310) 324-3030
Web Site:www.marsair.com • E-mail:info@marsair.com