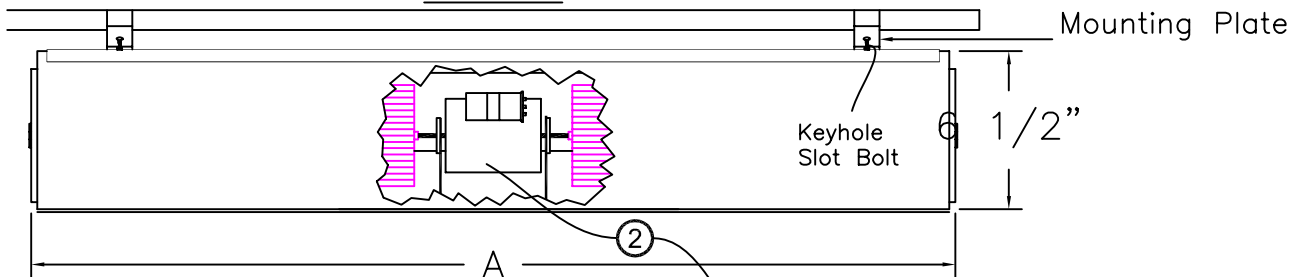
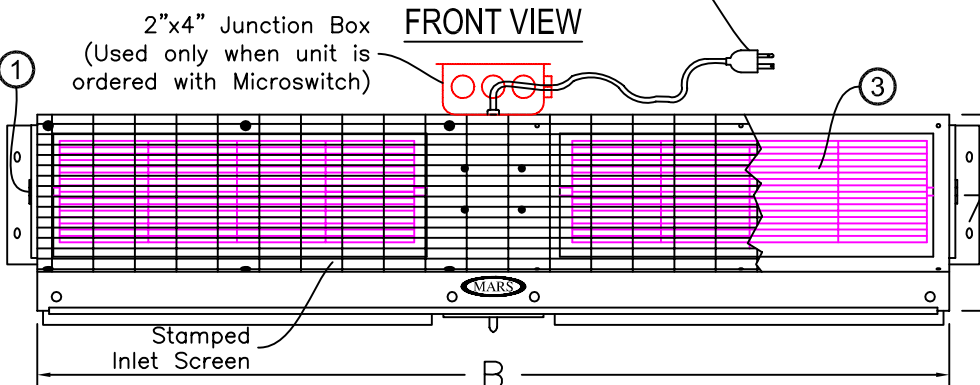


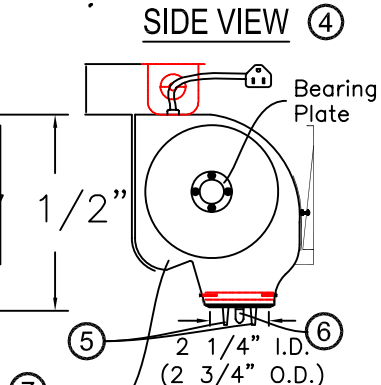
TOP VIEW



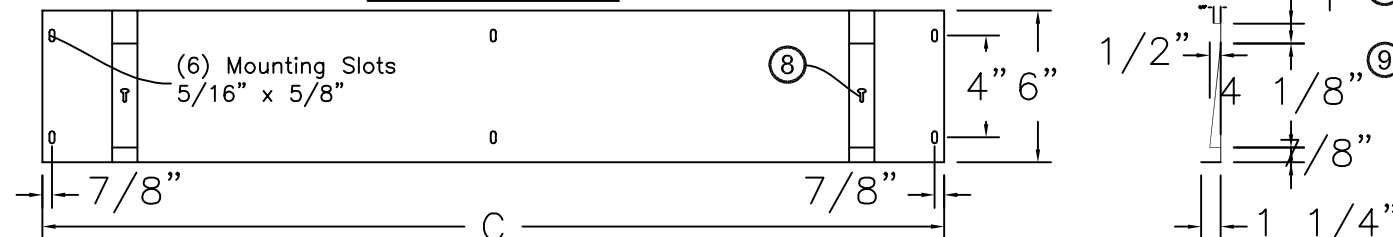
FRONT VIEW



SIDE VIEW



MOUNTING PLATE

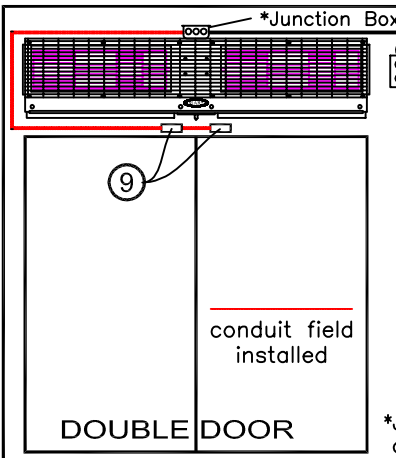


NOTES:

- ① This product is designed to meet the National Electric Code (NEC) and is UL and CUL Listed.
- ② Continuous duty, direct drive, variable speed, double shaft motors with automatic thermal overload protection. Overload protects motor from burnout, minimizing maintenance costs. Motor connected with an 8' cord, three conductor cord and plug. J-Box used when ordered with microswitch.
- ③ Blower wheels are rust proof and dynamically balanced to provide quiet operation, while maintaining high air velocity.
- ④ Low profile appearance. Overall height is 7 1/2" and overall depth is 6 1/2". (Add 2" to height for microswitch J-Box)
- ⑤ Air directional vanes, with 40° sweep front to back, compensates for drafts.
- ⑥ Adjustable speed controller knob allows air velocity to meet a wide range of field conditions.
- ⑦ High impact molded white PolyMars® cabinet. Durable and rigid cabinet material performs as a sound dampener. Rust and peel proof in humid atmospheric conditions. Molded custom colors available.
- ⑧ Mounting plate with keyhole slot for fast and easy installation and maintenance.
- ⑨ Normally closed microswitch(s) is optional and field installed. Switch to be mounted so the air curtain turns on as the door begins to open.



MODEL NUMBER	Overall Length (A)	Nozzle Length (B)	Mount Plate Length (C)
WA36	36 1/2"	36"	39 1/2"
WA42	42 1/2"	42"	45 1/2"
WA48	48 1/2"	48"	51 1/2"
WA60	60 1/2"	60"	63 1/2"
WA72	72 1/2"	72"	75 1/2"



- TYPICAL INSTALLATION**
1. Install mounting plate using the pre-drilled holes.
 2. Attach cabinet to mounting plate using the two keyhole slots.
 3. Install optional microswitch(s) to door header.
 4. Plug in unit using the 3-wire cord/plug supplied.
- *Junction Box only used with optional microswitch(s).

PROJECT	MODEL NO.
LOCATION	DRAWING NO.
ARCHITECT	DATE
ENGINEER	SHEET OF
	DRAWN BY
	CHECKED BY
	PROJECT NO.

MARS
Air Doors
BRAND AIR CURTAIN

14716 S. BROADWAY • GARDENA, CA 90248
Phone: 310-532-1555 • 800-421-1266 • Fax: 310-324-3030
WEB SITE: www.marsair.com • E-MAIL: marsinfo@marsair.com

WA WHISPURR AIR® LOW PROFILE COMMERCIAL MODELS

JOB: _____ **ARCHITECT/ENGINEER:** _____ **DRWG.:** _____
CONTRACTOR: _____ **SHEET** _____ **of** _____ **DATE:** _____

MARK	WA MODEL NUMBER	NUMBER REQ'D	LENGTH (INCHES)	WEIGHT (LBS)	MOTOR FAN DATA					REMARKS	
					VOLTAGE	FLA (AMPACITY) SINGLE PHASE		Max FPM at Nozzle	Max CFM at Nozzle		dBA Measured 10 ft. from Nozzle
						115V	208V 240V				
	WA36		36	16		2.4 (3.0)	.9 (1.2)	1800	900	49	
	WA42		42	19		2.4 (3.0)	.9 (1.2)	1800	1050	50	
	WA48		48	22		2.4 (3.0)	.9 (1.2)	1800	1200	52	
	WA60		60	25		2.6 (3.3)	1.3 (1.7)	1800	1500	52	
	WA72		72	28		2.6 (3.3)	1.3 (1.7)	1800	1800	53	

EQUIPMENT SPECIFICATIONS – Standard Features

GENERAL
 Air curtain shall be a Mars® Air Doors brand air curtain: Type Whispurr Air® Commercial unheated.

APPROVALS
 Air curtain shall be Underwriters Laboratory and Canadian Underwriters Laboratory Listed and shall meet the requirements of the National Electric Code. (N.E.C.)

CABINET
 Cabinet shall be self contained one piece molded, high impact, white PolyMars® material. Cabinet shall be resistant to high humidity, all chemical and climatic exposures. A rigid steel bracket is supplied to be mounted on the wall to accept the cabinet via keyhole slots. Field adjustable motor speed control knob capable of reducing outlet air velocity up to 60%. Discharge air outlet shall be wedged shape containing field adjustable air directional vanes with 40° sweep front to back.

MOTORS AND BLOWERS
 Motor shall be suitable for continuous heavy duty, all angle operations. Construction shall include double sealed lifetime pre-lubricated ball bearings, resilient mounted and protected by an automatic reset thermal overload switch. Motor to have double shaft and direct drive with dynamically balanced, forward curved, squirrel cage blower wheels. Blower wheels shall be injected molded type utilizing PolyMars® material having high tensile strength and resistant to both chemical and climatic conditions.

ELECTRICAL WIRING
 Supplied with three wire cord and plug. Junction Box provided if ordered with Microswitch.

GUARANTEE
 Shall be five years on all parts.

OPTIONAL FEATURES
 When checked below, the air curtain will be supplied with the following special features.

Door switch (20 amp) for automatic on/off control. turns air curtain on when door is opened and off when door is closed.

Field Installed
 Plunger type Roller type

An equipment specification can be prepared by combining the standard features with the checked boxes below indicating the selection of the optional features.

MADE WITH PRIDE IN THE U.S.A.