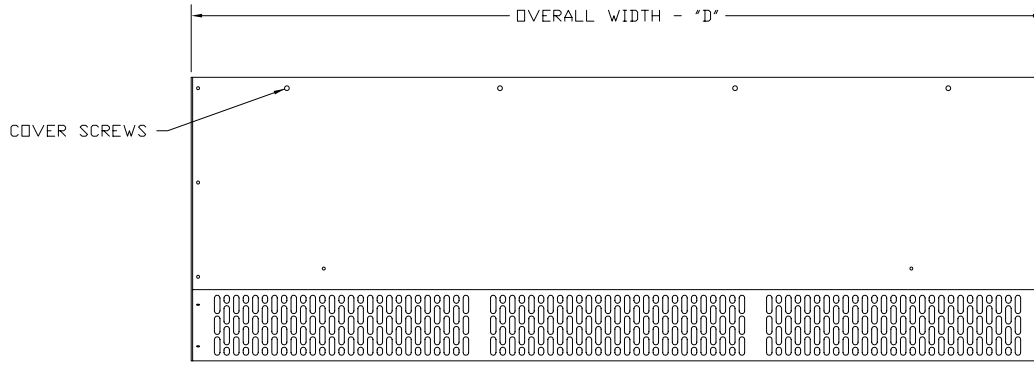


# TOP VIEW



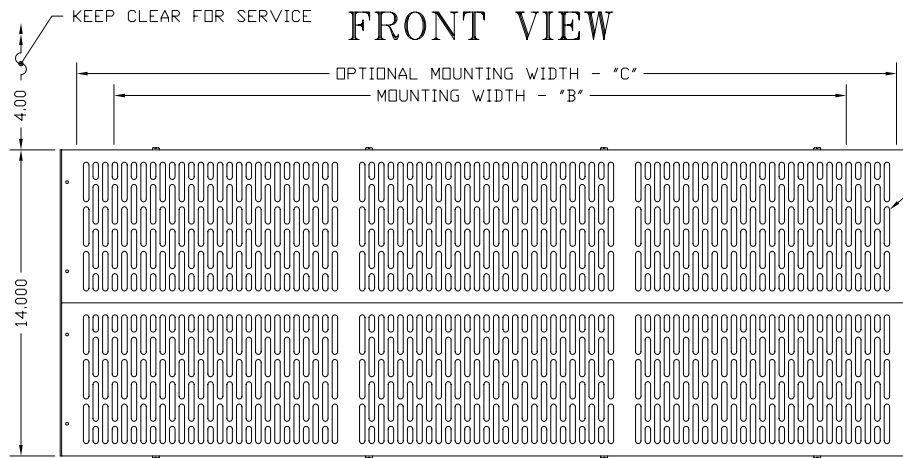
# THE ARISTOCRAT

## AIR DOOR ELECTRIC HEATED SINGLE & THREE SPEED

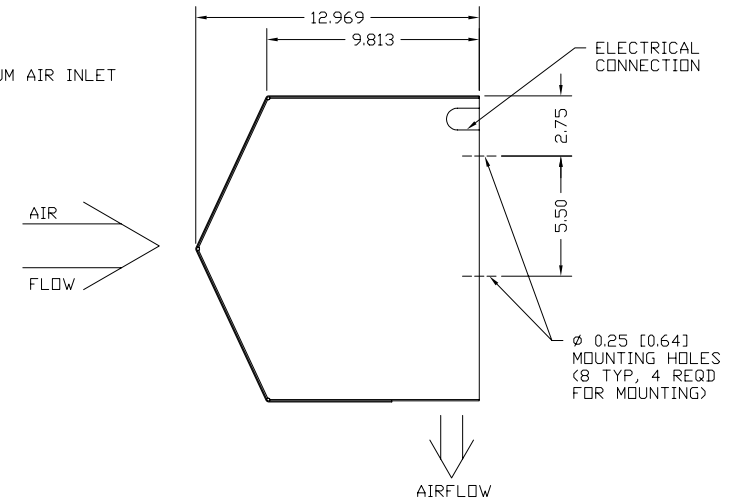
### NOTES:

- ⚠ AIR CURTAIN MUST BE INSTALLED SO AIR STREAM IS NOT OBSTRUCTED WHEN DEFLECTED 20° TO EITHER SIDE OF  $\bar{C}$ .
- ⚠ ELECTRICAL CONNECTIONS ARE TO BE FLEXIBLE.
- ⚠ FIELD VERIFY DIMENSIONS.
- ⚠ ANCHORS TO SUPPORTING STRUCTURE TO BE SUPPLIED BY OTHERS.
- ⚠ ADEQUACY OF SUPPORTING STRUCTURE IS TO BE VERIFIED BY A PROFESSIONAL STRUCTURAL ENGINEER.

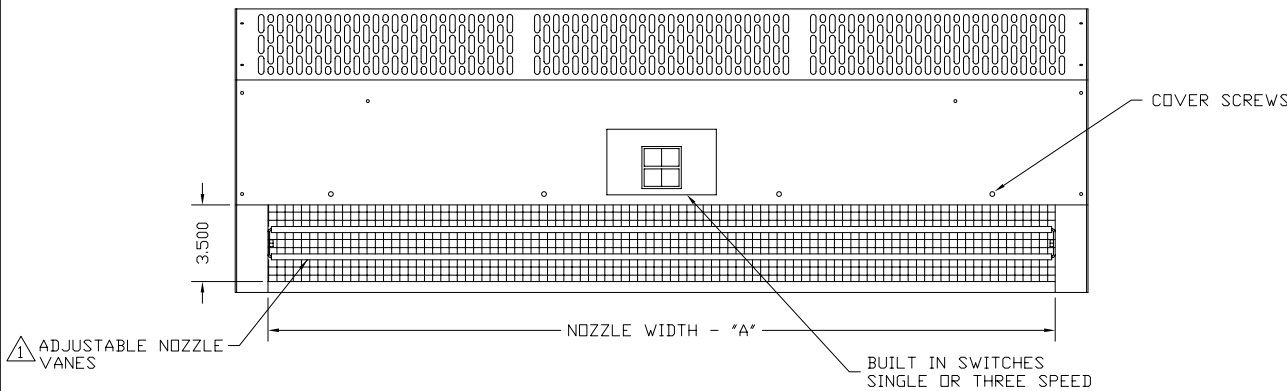
# FRONT VIEW



# END VIEW



# BOTTOM VIEW



MODEL	NOZZLE "A"	MOUNTING "B"	MOUNTING "C"	OVERALL "D"
AS*1036E†	36.00 [91.44]	33.50 [85.09]	37.50 [95.25]	39.00 [99.06]
AS*1042E†	42.00 [106.68]	39.50 [100.33]	43.50 [110.49]	45.00 [114.30]
AS*1048E†	48.00 [121.92]	45.50 [115.57]	49.50 [125.73]	51.00 [129.54]
ASF1060E	60.00 [152.40]	57.50 [146.05]	61.50 [156.21]	63.00 [160.02]
ASF1072E	72.00 [193.04]	69.50 [176.53]	73.50 [186.69]	75.00 [190.50]

REPLACE "\*" WITH "F" OR "R" FOR FRONT OR REAR DOOR (SINGLE SPEED ONLY). REPLACE "†" WITH "-3X" FOR 3-SPD (REAR DOOR ONLY)

DWG. NO.	LWAT0067	TITLE:	<b>BERNER</b>
DATE	11OCT05		MODEL ARISTOCRAT AIR DOOR
BY	A. Johnston		SINGLE SPEED & 3-SPEED ELECTRIC HEATED
REPLACES			
BY			BERNER INTERNATIONAL CORP. NEW CASTLE, PA.