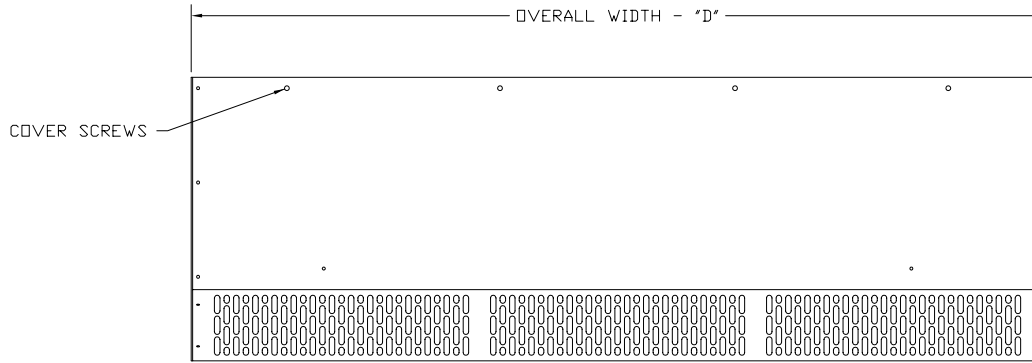


TOP VIEW



THE ARISTOCRAT

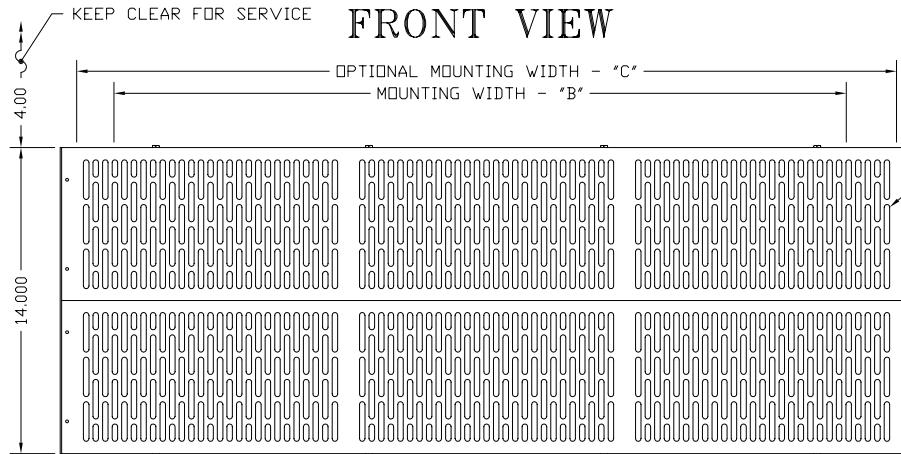
AIR DOOR

AMBIENT

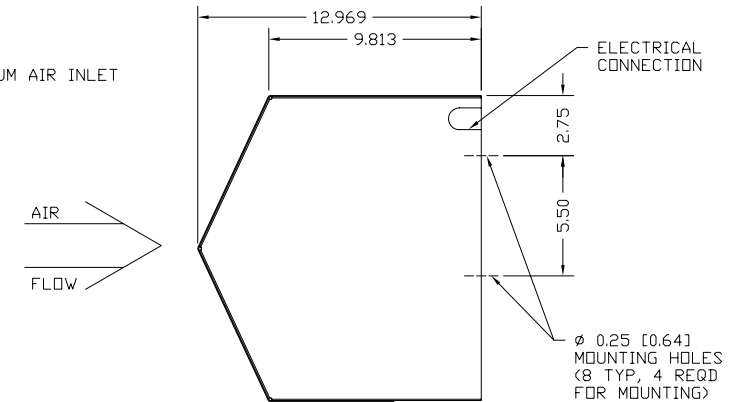
NOTES:

- ⚠ AIR CURTAIN MUST BE INSTALLED SO AIR STREAM IS NOT OBSTRUCTED WHEN DEFLECTED 20° TO EITHER SIDE OF \bar{C} .
- ⚠ ELECTRICAL CONNECTIONS ARE TO BE FLEXIBLE.
- ⚠ FIELD VERIFY DIMENSIONS.
- ⚠ ANCHORS TO SUPPORTING STRUCTURE TO BE SUPPLIED BY OTHERS.
- ⚠ ADEQUACY OF SUPPORTING STRUCTURE IS TO BE VERIFIED BY A PROFESSIONAL STRUCTURAL ENGINEER.

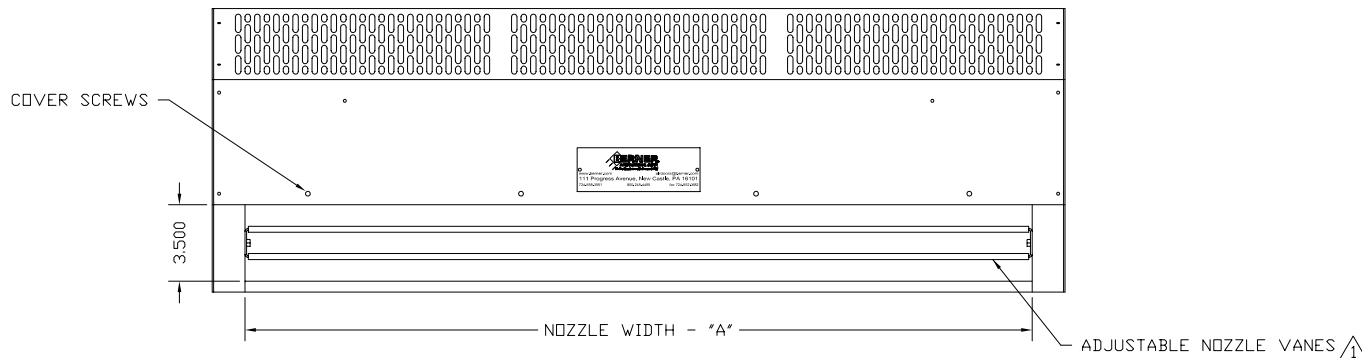
FRONT VIEW



END VIEW



BOTTOM VIEW



AIRFLOW

MODEL	NOZZLE "A"	MOUNTING "B"	MOUNTING "C"	OVERALL "D"
AS*1036A	36.00 [91.44]	33.50 [85.09]	37.50 [95.25]	39.00 [99.06]
AS*1042A	42.00 [106.68]	39.50 [100.33]	43.50 [110.49]	45.00 [114.30]
AS*1048A	48.00 [121.92]	45.50 [115.57]	49.50 [125.73]	51.00 [129.54]
AS*1060A ASR2060A	60.00 [152.40]	57.50 [146.05]	61.50 [156.21]	63.00 [160.02]
ASF1072A AS*2072A	72.00 [193.04]	69.50 [176.53]	73.50 [186.69]	75.00 [190.50]

REPLACE '*' WITH 'F', 'R' OR 'N' FOR FRONT, REAR OR NSF. NSF CERTIFICATION APPLIES TO ASN SERIES ONLY.

DWG. NO.	LWAT0068	TITLE:	BERNER MODEL ARISTOCRAT AIR DOOR AMBIENT
DATE	11OCT05	BY	
REPLACES		BERNER INTERNATIONAL CORP. NEW CASTLE, PA.	
BY			