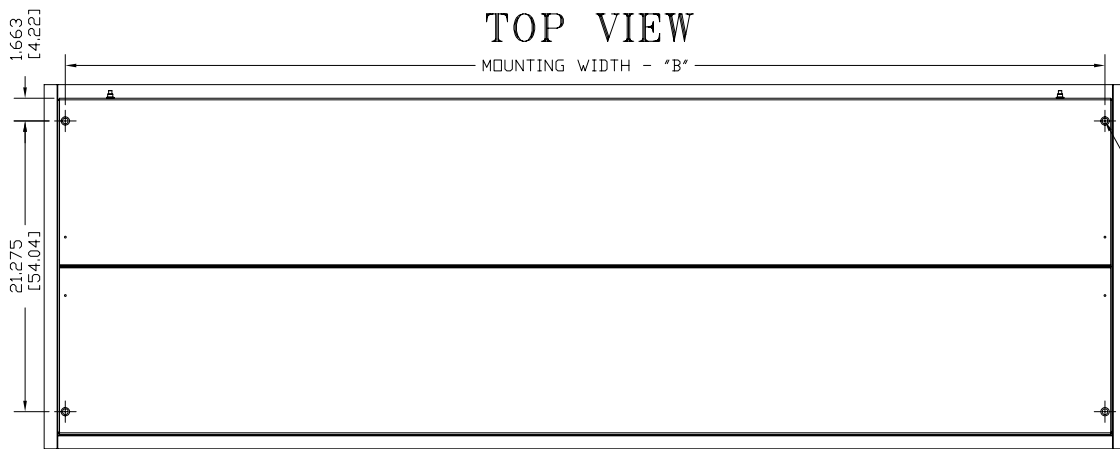


# IN-CEILING MOUNT AIR CURTAIN ELECTRIC SYSTEM

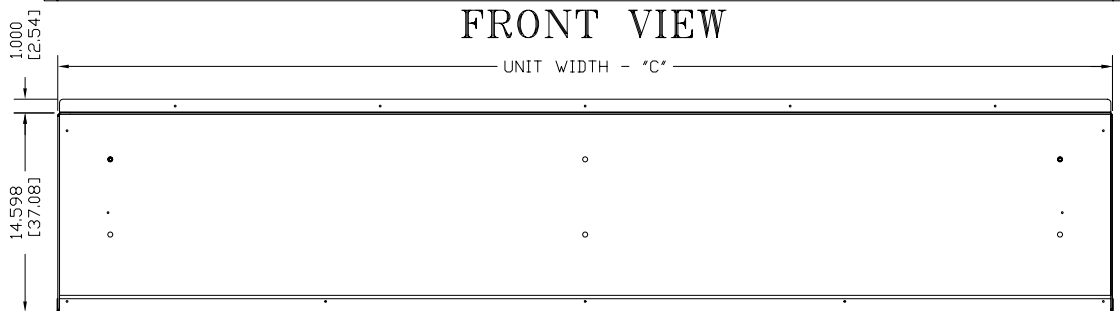
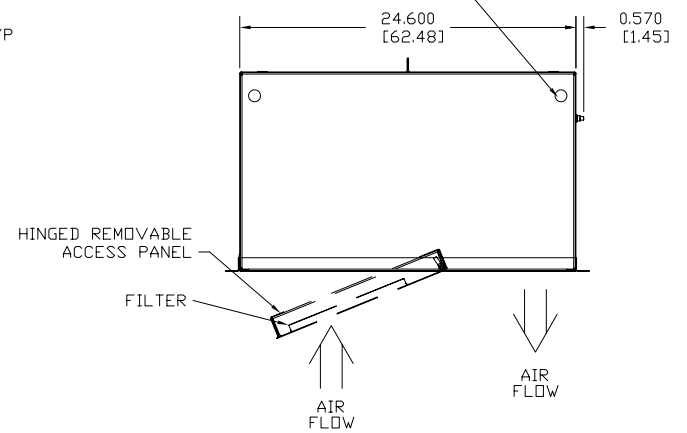


5/16-18 THREADED INSERT FOR TOP MOUNTING (4 TYP) <sup>5</sup>

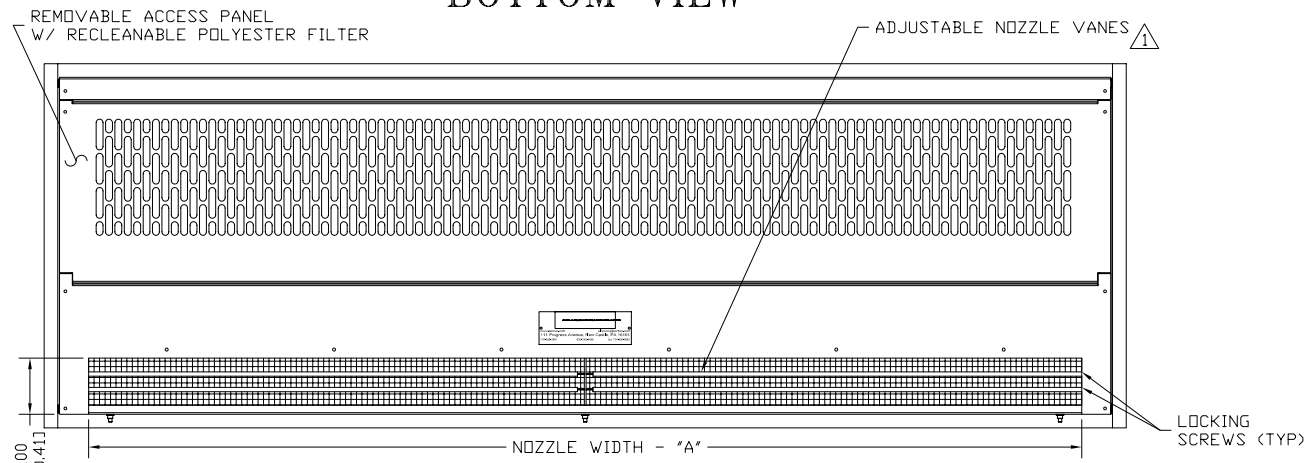
FIELD INSTALLED TRIM KIT 4 PIECES (BY BERNER)

## END VIEW

1/2" CONDUIT ELECTRICAL CONNECTION



## BOTTOM VIEW



## NOTES:

- <sup>1</sup> AIR CURTAIN MUST BE INSTALLED SO AIR STREAM IS NOT OBSTRUCTED WHEN DEFLECTED 20° TO EITHER SIDE OF  $\square$ .
- <sup>2</sup> ELECTRICAL CONNECTIONS TO BE FLEXIBLE.
- <sup>3</sup> FIELD VERIFY DIMENSIONS.
- <sup>4</sup> ANCHORS TO SUPPORTING STRUCTURE BY OTHERS.
- <sup>5</sup> ADEQUACY OF SUPPORTING STRUCTURE IS TO BE VERIFIED BY A PROFESSIONAL STRUCTURAL ENGINEER.
- <sup>6</sup> LETTER "E" IN MODEL NUMBER DESIGNATES ELECTRIC HEAT.
- <sup>7</sup> DIMENSIONS IN INCHES (CENTIMETERS).

MODEL <sup>6</sup>	ELECTRIC HEATER OUTPUT KW	NOZZLE WIDTH "A"	MOUNTING WIDTH "B"	UNIT WIDTH "C"
FCM/ICM1036E	10	36.000 [91.44]	40.000 [101.60]	41.188 [104.62]
FCM/ICM1042E	10	42.000 [106.68]	46.000 [116.84]	47.188 [119.86]
FCM/ICM1048E	10	48.000 [121.92]	52.000 [132.08]	53.188 [134.62]
FCM/ICM2060E	15	60.000 [152.40]	64.000 [162.56]	65.188 [165.58]
FCM/ICM2072E	20	72.000 [182.88]	76.000 [193.04]	77.188 [196.06]

PROJECT		
LOCATION		
ARCHITECT		
ENGINEER		REV. A
DWG. NO.	ICMT0011	TITLE: <b>BERNER</b> IN-CEILING MOUNT AIR CURTAIN ELECTRIC HEATED SYSTEM
DATE	24 JUL 06	
BY	D. Johnson	BERNER INTERNATIONAL CORP. NEW CASTLE, PA.
REPLACES	07 JUL 05	
BY	D. Johnson	