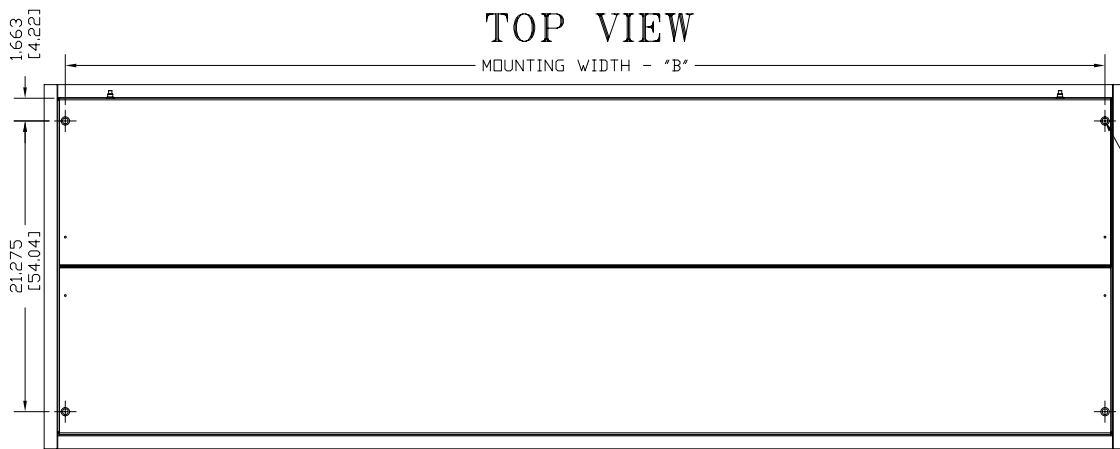


# IN-CEILING MOUNT AIR CURTAIN AMBIENT SYSTEM

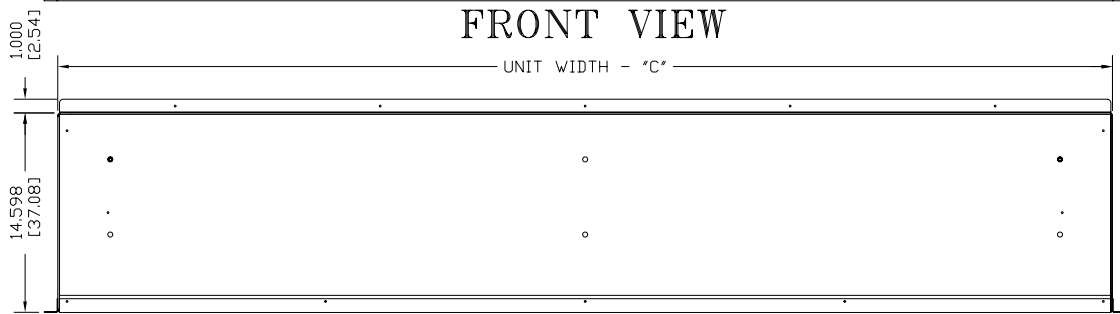
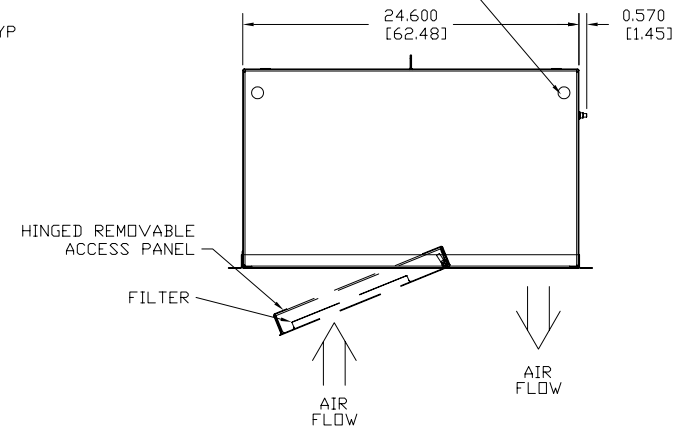


5/16-18 THREADED INSERT FOR TOP MOUNTING (4 TYP)  $\triangle$

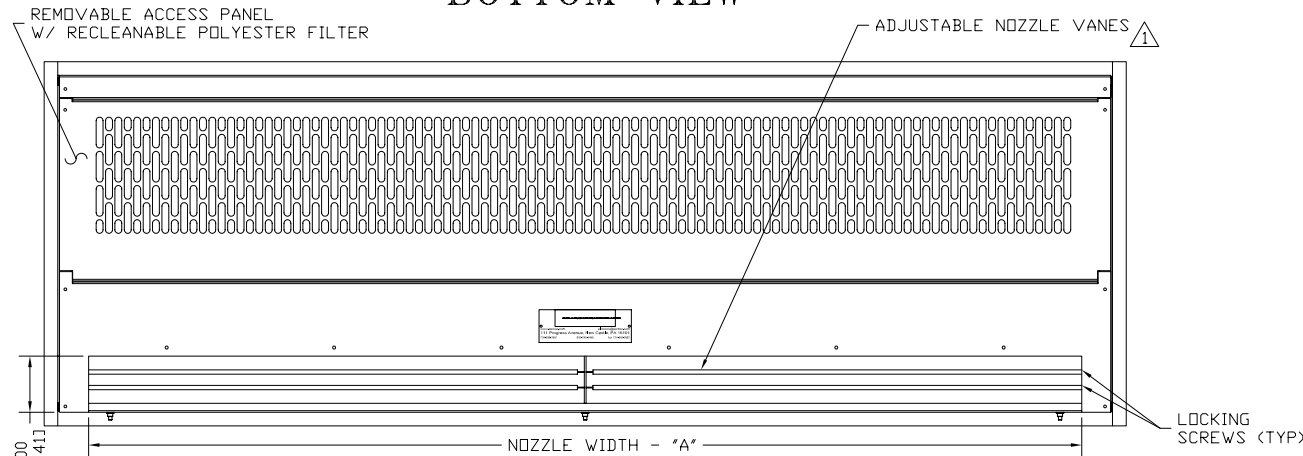
FIELD INSTALLED TRIM KIT 4 PIECES (BY BERNER)

## END VIEW

1/2" CONDUIT ELECTRICAL CONNECTION



## BOTTOM VIEW



## NOTES:

- $\triangle 1$  AIR CURTAIN MUST BE INSTALLED SO AIR STREAM IS NOT OBSTRUCTED WHEN DEFLECTED 20° TO EITHER SIDE OF  $\phi$ .
- $\triangle 2$  ELECTRICAL CONNECTIONS TO BE FLEXIBLE.
- $\triangle 3$  FIELD VERIFY DIMENSIONS.
- $\triangle 4$  ANCHORS TO SUPPORTING STRUCTURE BY OTHERS.
- $\triangle 5$  ADEQUACY OF SUPPORTING STRUCTURE IS TO BE VERIFIED BY A PROFESSIONAL STRUCTURAL ENGINEER.
- $\triangle 6$  LETTER "A" IN MODEL NUMBER DESIGNATES AMBIENT SYSTEM.
- $\triangle$  DIMENSIONS IN INCHES (CENTIMETERS).

MODEL $\triangle$	NOZZLE WIDTH "A"	MOUNTING WIDTH "B"	UNIT WIDTH "C"
FCM/ICM1036A	36.000 [91.44]	40.000 [101.60]	41.188 [104.62]
FCM/ICM1042A	42.000 [106.68]	46.000 [116.84]	47.188 [119.86]
FCM/ICM1048A	48.000 [121.92]	52.000 [132.08]	53.188 [134.62]
FCM/ICM2060A	60.000 [152.40]	64.000 [162.56]	65.188 [165.58]
FCM/ICM2072A	72.000 [182.88]	76.000 [193.04]	77.188 [196.06]

PROJECT		
LOCATION		
ARCHITECT		
ENGINEER		REV. A
DWG. NO.	ICMT0011	TITLE: <b>BERNER</b>
DATE	18JUL06	IN-CEILING MOUNT AIR CURTAIN
BY	D. Johnson	AMBIENT SYSTEM
REPLACES	07JUL05	
BY	D. Johnson	BERNER INTERNATIONAL CORP. NEW CASTLE, PA.