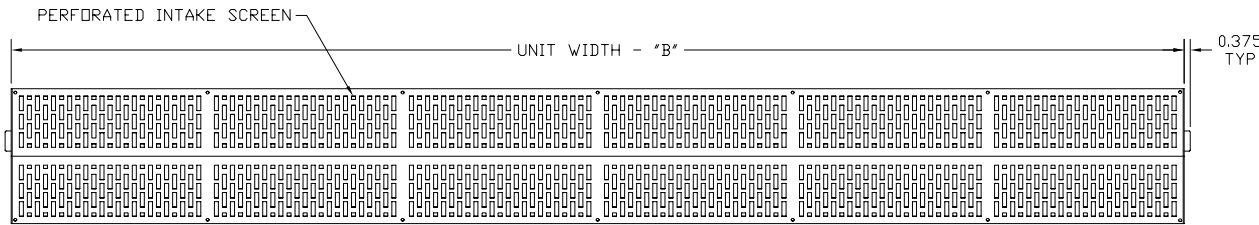
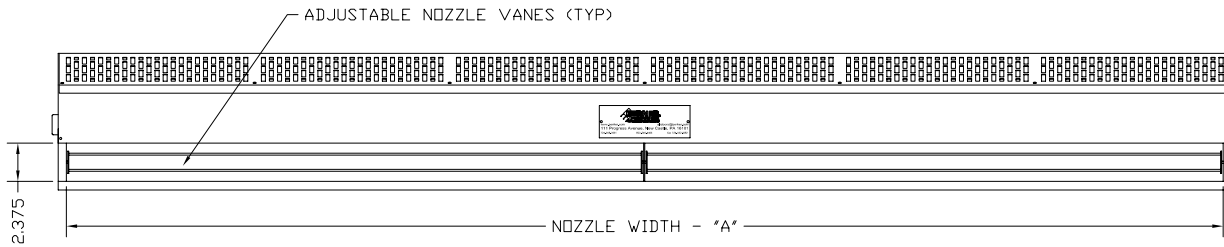


FRONT VIEW

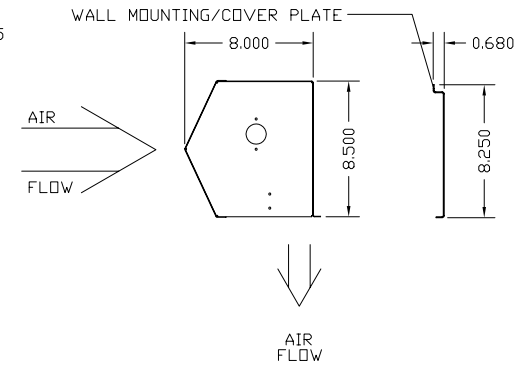


BOTTOM VIEW



KZN K-Zone AMBIENT SYSTEM SINGLE SPEED

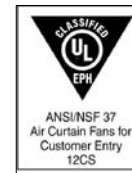
END VIEW



NOTES:

- ① AIR CURTAIN MUST BE INSTALLED SO AIR STREAM IS NOT OBSTRUCTED WHEN DEFLECTED 20° TO EITHER SIDE OF C.
- ② ELECTRICAL CONNECTIONS TO BE FLEXIBLE.
- ③ FIELD VERIFY DIMENSIONS.
- ④ ANCHORS TO SUPPORTING STRUCTURE BY OTHERS.
- ⑤ ADEQUACY OF SUPPORTING STRUCTURE IS TO BE VERIFIED BY A PROFESSIONAL STRUCTURAL ENGINEER.
- ⑥ DIMENSIONS IN INCHES (CENTIMETERS).

MODEL	NOZZLE WIDTH "A"	UNIT WIDTH "B"	MOUNTING WIDTH "C"	ELECTRIC WIDTH "D"
KZN1030A	27.44 [69.68]	28.88 [73.34]	28.31 [71.91]	14.43 [36.65]
KZN1036A	34.62 [87.95]	36.06 [91.60]	35.63 [90.50]	11.43 [29.05]
KZN1042A	40.62 [103.17]	42.06 [101.75]	41.63 [105.71]	14.43 [36.67]
KZN1048A	46.62 [118.41]	48.06 [122.07]	47.63 [120.98]	14.43 [36.67]
KZN1060A	59.42 [150.92]	59.56 [151.28]	59.12 [150.16]	23.18 [58.88]
KZN1072A	71.37 [181.28]	72.81 [184.94]	72.37 [183.84]	29.81 [75.72]



PROJECT		
LOCATION		
ARCHITECT		
ENGINEER		
DWG. NO.	EZNT0013	TITLE: BERNER
DATE	30AUG05	MODEL KZN AIR CURTAIN
BY	A. Johnston	AMBIENT SYSTEM
REPLACES		BERNER INTERNATIONAL CORP. NEW CASTLE, PA.
BY		