

KSA/KSB

ACCESSORIES

DESCRIPTION	PART NO.
ELECTRICAL ACCESSORIES	
Plunger Style Door Switch (Suitable for all pilot duty control or unit control based on number of motors and voltage: KSA: 2 @ 120V or 3 @208-240V; KSB: 1 @ 120V or 2 @ 208-240V)	9503SD020-P
Roller Arm Door Switch (Suitable for all pilot duty control or unit control based on number of motors and voltage: KSA: 2 @ 120V or 3 @208-240V; KSB: 1 @ 120V or 2 @ 208-240V)	9503SD020-RA
Remote Hand/Off/Auto Selector Switch (Single phase only) 1½ hp @ 120V, 4 hp @ 208-240V	9505T0215432
Toggle Disconnect Remote Mounted 30 amp. 120-240V, Single Phase (2 hp max.)	95083032C
Toggle Disconnect Unit Mounted 30 amp. 120-240V, Single Phase (2 hp max.)	95083032C-BI
Thermostat 2-Pole	9502DS2T-P Remote Mounted
	9502DS2T-P-BI Unit Mounted
Locking Cover For Thermostat	95022E999

DESCRIPTION	PART NO.
MECHANICAL ACCESSORIES	
Correctional Tamper Proof Package	Add Suffix -TP to MODEL# Example: KSA2072AA-TP
Wall Support Bracket Two Required Per Unit	0"-12" 66VS-000WMB-012
	0"-20" 66VS-000WMB-020
6" Extension Bracket (Not Available for Electric Heated Units or Units with a factory mounted motor control)	66VS-006EB
12" Extension Bracket (Not Available for Electric Heated Units or Units with a factory mounted motor control)	66VS-012EB
Floor Mounting Bracket (Two Piece)	66VS-000FMB
Tandem Mounted Bracket Maximum Joined Length-Vertical 30'	66VS-000TMB

KSA/KSB

ACCESSORIES

1/2" ALUMINUM & POLYWASHABLE FILTERS

FOR UNHEATED, ELECTRIC, STEAM & HOT WATER HEATED UNITS

FILTER LENGTH	ALUMINUM FILTER PART NO.	POLYWASHABLE FILTER PART NO.
36"	80VS-036C-A	80VS-036C
42"	80VS-042C-A	80VS-042C
48"	80VS-048C-A	80VS-048C
60"	80VS-060C-A	80VS-060C
72"	80VS-072C-A	80VS-072C
78"	80VS-078C-A	80VS-078C
84"	80VS-084C-A	80VS-084C
96"	80VS-096C-A	80VS-096C
108"	80VS-108C-A	80VS-108C
120"	80VS-120C-A	80VS-120C
132"	80VS-132C-A	80VS-132C
144"	80VS-144C-A	80VS-144C

Note: Polywashable filter cannot be used on UL certified unheated and electric units

*FILTER REPLACES PERFORATED INTAKE GRILLE

Consult factory for cost of filter with perforated intake grille

CONTROL STATIONS

UNHEATED MODELS ONLY

SINGLE PHASE CONTROL STATIONS - UNHEATED MODELS ONLY

Note:1. Single phase control stations listed below are required when:

The motor quantities exceed the following: KSA: 2 @ 120V or 3 @ 208-240V; KSB: 1 @ 120V or 2 @ 208-240V

2. If the motor quantities at voltage do not exceed the requirements as stated in #1 (above), a control station is not required and only a plunger or roller style door switch needs to be quoted.

SINGLE PHASE CONTROL STATION COMPONENTS - Line Voltage Control – Factory mounted/wired NEMA 4 & 12 rated industrial enclosure (standard right hand end plate, left hand optional), motor contactor, fusing (when required) & terminal strip.

Single Phase Control Station - Factory Mounted Right End			
UNHEATED			
# of MOTORS	VOLTAGE	hp.	PART #
3	120	KSA 1/2	9012CS40A3P120
4	120		9012CFDA1A1F2
	208		9012CFDA1B1F2
	240		9012CFDA1J1F2
2-3	120	KSB 1	9012CS40A3P120
3	208-240		9012CS40A3P208
4	120		9012CFDA1A001
	208		9012CFDA1B001
	240		9012CFDA1J001

UNHEATED MODELS ONLY

OPTIONAL SINGLE PHASE CONTROL STATION ACCESSORIES –

All optional accessories will be factory mounted/wired inside the control station

CONTROL STATION ACCESSORIES	
DESCRIPTION	PART NO.
Time Delay-Line Voltage Control (120/208/240/1)	Add -TD to part #
Time Delay- 24 Volt Control (includes time delay and transformer)	Add -24-TD to part #
24 Volt Control	Add -24 to part #

ELECTRICALLY HEATED MODELS ONLY

CONTROL PACKAGES

BASIC CONTROL PACKAGE

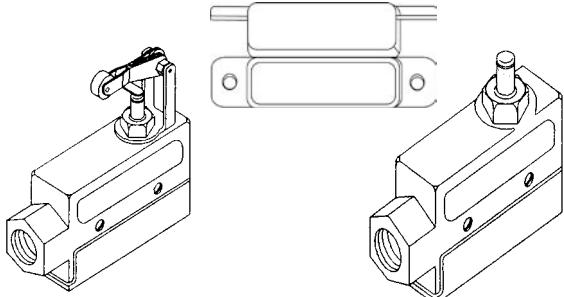
Recommended for openings where the door stays open or does not have a lot of traffic.

Includes: Door Switch Plunger Style, Roller Style, or Magnetic Reed Style

PACKAGE	PART NO.
Basic Plunger	9503SD020-P
Basic Roller	9503SD020-RA
Basic Magnetic	9503MRS1F2-NC-K

NOTE: If there are multiple manual doors on the opening, an additional switch is required.

24 VOLT CONTROL



DELUXE CONTROL PACKAGE

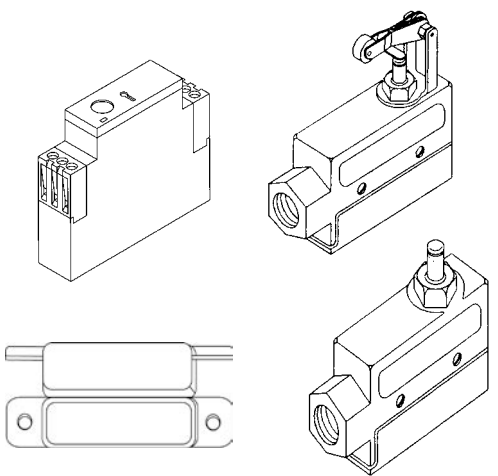
Recommended for high traffic openings.

Includes: Door Switch Plunger Style, Roller Style, Magnetic Reed Style
Factory Installed Time Delay Relay

PACKAGE	PART NO.
Deluxe Plunger 24 V	91VSA120-DE-P
Deluxe Roller 24 V	91VSA120-DE-R
Deluxe Magnetic Reed 24 V	91VSA120-DE-M

NOTE: If there are multiple manual doors on the opening, an additional switch is required.

24 VOLT CONTROL



Control Panel

**NOT NEEDED FOR
ELECTRICALLY
HEATED MODELS**

Required for all motors operating on three phase power

Standard Features

- ◆ NEMA 4/12 Enclosure
- ◆ Motor Contactor
- ◆ Motor Overload (one per motor)
- ◆ 120V Control Transformer
- ◆ Terminal Strip

Optional NEMA 4X Enclosure Features

- ◆ Poly Fiberglass
 - ◆ Aluminum
 - ◆ Stainless Steel
- Optional Feature**
- ◆ 24V control Transformer

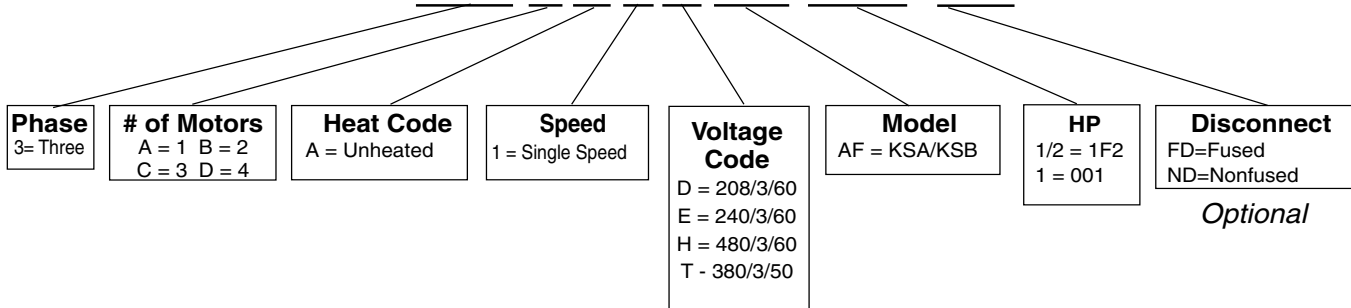


NOTE: A switch (door switch, manual start/stop, etc.) must be ordered with the panel for activation of the unit(s)

208-240V	480V
REMOTE or FACTORY MOUNTED	REMOTE or FACTORY MOUNTED
1 @ 1/2 or 1 hp	1 @ 1/2 or 1 hp
2 @ 1/2 or 1 hp	2 @ 1/2 or 1 hp
3 @ 1/2 or 1 hp	3 @ 1/2 or 1 hp
4 @ 1/2 or 1 hp	4 @ 1/2 or 1 hp

CONTROL PANEL PART NUMBER CONFIGURATION

903BA1HAF001-FD



CONTROL PANEL ACCESSORIES - BUILT-IN	
DESCRIPTION	PART NO.
Hand/Off/Automatic Switch	9505HOAB-CP
Start/Stop Push Button Station	9504SSPB-CP
Non-Fused Disconnect Switch	
3Ø 7.5 hp @ 208-240V; 20 hp @ 480V; 40 amps	Add -ND to part #
3Ø 10 hp @ 208-240V; 25 hp @ 480V; 60 amps	Add -ND to part #
3Ø 20 hp @ 208-240V; 25 hp @ 240V; 50 hp @480V; 100 amps	Add -ND to part #
3Ø 30 hp @ 208V; 40 hp @ 240V; 75 hp @ 480V; 100 hp @575V; 125 amps	Add -ND to part #
3Ø 50 hp @ 208V; 60 hp @ 240V; 125 hp @ 480V; 150 hp @575V; 200 amps	Add -ND to part #
Fused Disconnect Switch	
3Ø 7.5 hp @ 208-240V; 15 hp @ 480V; 30 amps	Add -FD to part #
3Ø 15 hp @ 208-240V; 35 hp @ 480V; 60 amps	Add -FD to part #
3Ø 25 hp @ 208V; 30 hp @ 240V; 75 hp @480V; 100 amps	Add -FD to part #
3Ø 30 hp @ 208V; 40 hp @ 240V; 75 hp @ 480V; 100 hp @575V; 125 amps	Add -FD to part #
3Ø 50 hp @ 208V; 60 hp @ 240V; 125 hp @ 480V; 150 hp @575V; 200 amps	Add -FD to part #
Time Delay Relay (120V or 24V)	9009KOL312-C
CONTROL PANEL ACCESSORIES - REMOTE MOUNTED	
DESCRIPTION	PART NO.
Hand/Off/Automatic Switch	9505HOAR
Start/Stop Push Button Station	9504SSPBR
Plunger Style Door Switch	9503SD020-P
Roller Arm Door Switch	9503SD020-RA
Thermostat 2-Pole	9502DS2T-P
Locking Cover For Thermostat	95022E999